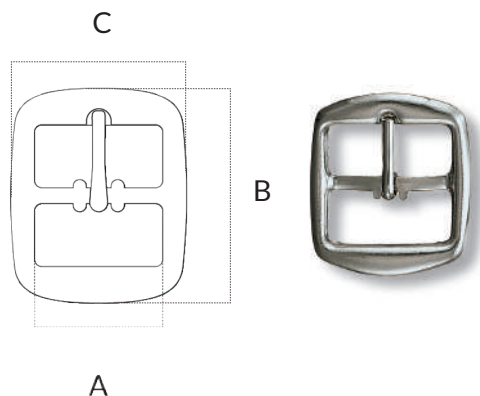
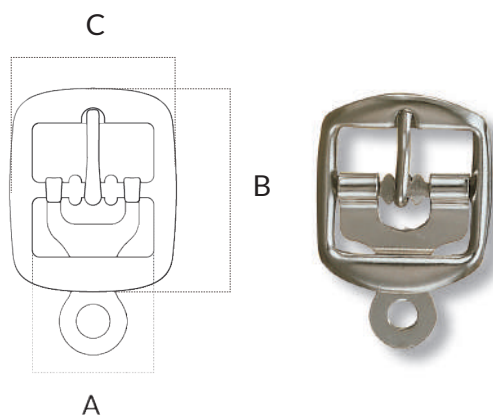


FIBBIA 120 S BUCKLE 120 S



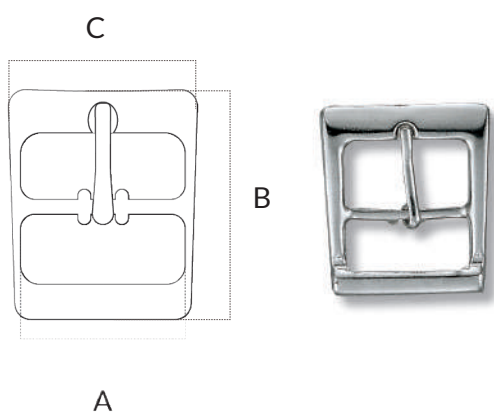
Cod.	A mm	B mm	C mm
FF 120/8 S	8,00	18,20	11,70
FF 120/10 S	10,00	20,50	14,70
FF 120/12 S	12,00	23,20	17,20
FF 120/14 S	14,00	24,90	20,70
FF 120/16 S	16,00	26,80	22,50
FF 120/18 S	18,00	28,30	24,30
FF 120/20 S	20,00	29,40	26,50
FF 120/22 S	22,00	30,00	29,00
FF 120/25 S	25,00	32,00	31,90
FF 120/30 S	30,00	34,80	37,20

FIBBIA 120 C BUCKLE 120 C



Cod.	A mm	B mm	C mm
FF 120/8 C	8,00	18,20	11,70
FF 120/10 C	10,00	20,50	15,70
FF 120/12 C	12,00	23,20	17,20
FF 120/14 C	14,00	24,90	20,70
FF 120/16 C	16,00	26,80	22,50
FF 120/18 C	18,00	28,30	24,30
FF 120/20 C	20,00	29,40	26,20
FF 120/22 C	22,00	30,00	29,00
FF 120/25 C	25,00	32,00	31,90
FF 120/30 C	30,00	34,80	37,20

FIBBIA 125 S BUCKLE 125 S

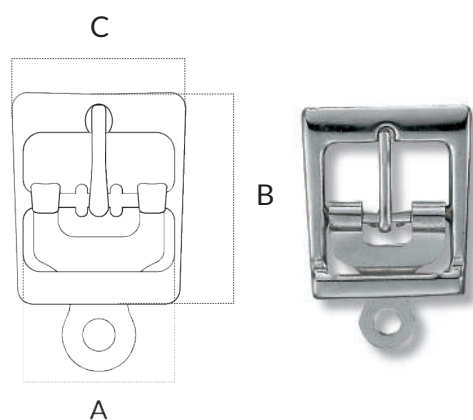


Cod.	A mm	B mm	C mm
FF 125/8 S	8,00	18,28	13,90
FF 125/10 S	10,00	20,90	15,17
FF 125/12 S	12,00	24,20	19,10
FF 125/14 S	14,00	26,20	21,40
FF 125/16 S	16,00	28,40	24,00
FF 125/18 S	18,00	30,15	26,30
FF 125/20 S	20,00	32,40	28,50
FF 125/22 S	22,00	31,30	30,70
FF 125/25 S	25,00	32,30	34,75

FIBBIA

125 C

BUCKLE 125 C

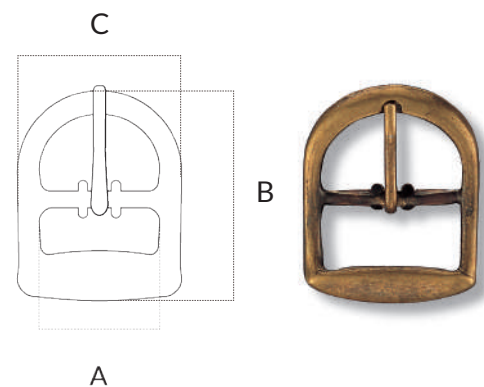


Cod.	A mm	B mm	C mm
FF 125/8 C	8,00	18,28	13,90
FF 125/10 C	10,00	20,90	15,17
FF 125/12 C	12,00	24,20	19,10
FF 125/14 C	14,00	26,20	21,40
FF 125/16 C	16,00	28,40	24,00
FF 125/18 C	18,00	30,15	26,30
FF 125/20 C	20,00	32,40	28,50
FF 125/22 C	22,00	31,30	30,70
FF 125/25 C	25,00	32,30	34,75

FIBBIA

130 S

BUCKLE 130 S

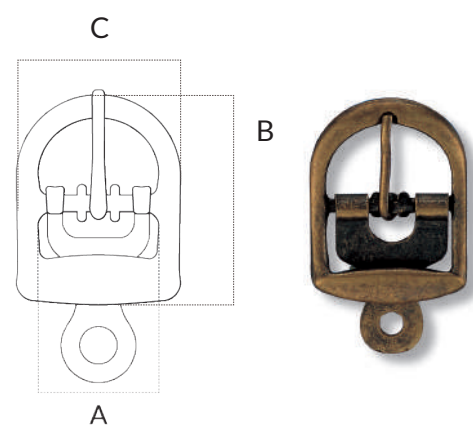


Cod.	A mm	B mm	C mm
FF 130/12 S	13,00	21,70	17,80
FF 130/14 S	15,00	24,10	19,70
FF 130/16 S	16,00	26,10	22,20
FF 130/18 S	18,00	29,50	24,10
FF 130/20 S	20,00	30,70	26,60
FF 130/22 S	22,00	33,40	26,50
FF 130/25 S	25,00	36,20	31,50

FIBBIA

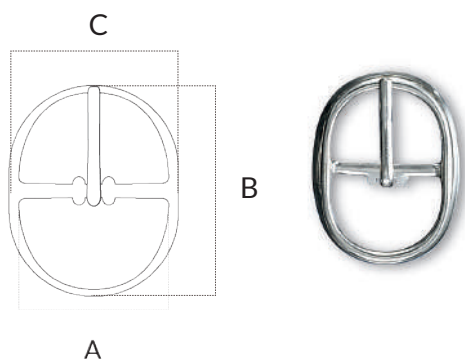
130 C

BUCKLE 130 C



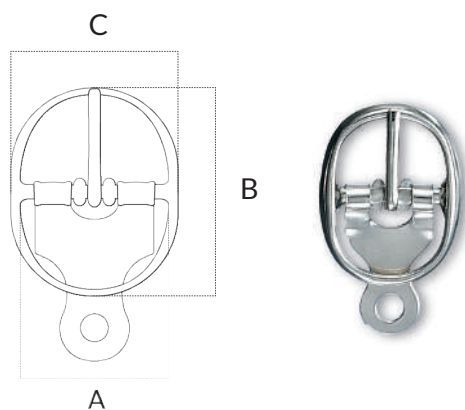
Cod.	A mm	B mm	C mm
FF 130/12 C	12,00	21,70	17,80
FF 130/14 C	14,00	24,10	19,70
FF 130/16 C	16,00	26,10	22,20
FF 130/18 C	18,00	29,50	24,10
FF 130/20 C	20,00	30,70	26,60
FF 130/22 C	22,00	33,40	26,50
FF 130/25 C	25,00	36,20	31,50

FIBBIA 117 S BUCKLE 117 S



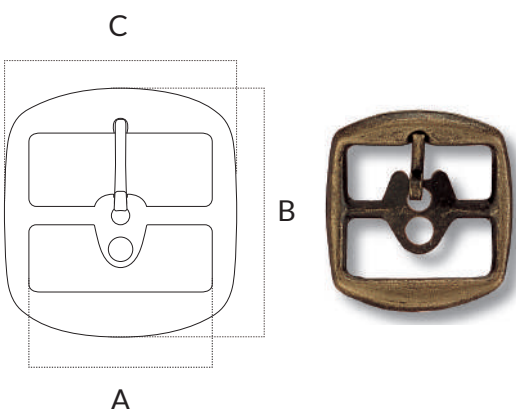
Cod.	A mm	B mm	C mm
FF 117 /10 S	10,00	18,50	14,70
FF 117 /12 S	12,00	22,20	19,30
FF 117 /14 S	14,00	25,20	19,30
FF 117 /16 S	16,00	27,00	22,00
FF 117 /18 S	18,00	30,10	24,60

FIBBIA 117 C BUCKLE 117 C



Cod.	A mm	B mm	C mm
FF 117 /10 C	10,00	19,00	14,00
FF 117 /12 C	12,00	22,00	17,00
FF 117 /14 C	14,00	25,00	19,00
FF 117 /16 C	16,00	28,00	22,00
FF 117 /18 C	18,00	32,00	24,00

FIBBIA 135 BUCKLE 135

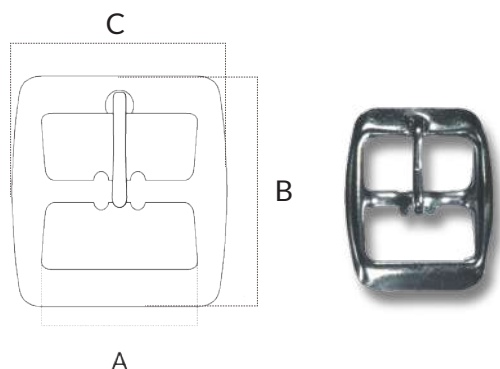


Cod.	A mm	B mm	C mm
FF 135/12	12,00	26,00	19,00
FF 135/14	14,00	27,50	21,00
FF 135/16	16,00	30,20	24,00
FF 135/18	18,00	28,00	25,20
FF 135/20	20,00	29,00	27,00
FF 135/22	22,00	31,00	30,00
FF 135/25	25,00	34,00	32,50
FF 135/30	30,00	36,20	38,50

FIBBIA

145 S

BUCKLE 145 S

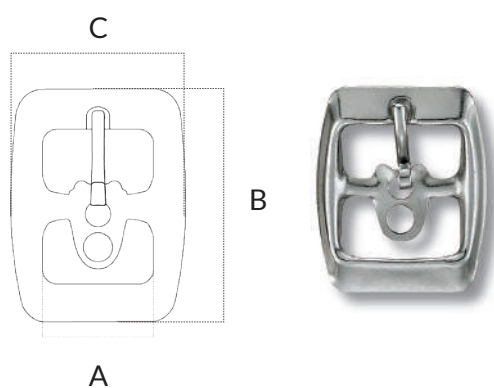


Cod.	A mm	B mm	C mm
FF 145/14 S	14,00	29,20	21,40
FF 145/16 S	16,00	32,30	22,80
FF 145/18 S	18,00	32,00	25,70
FF 145/20 S	20,00	32,80	28,40
FF 145/22 S	22,00	31,20	29,20
FF 145/25 S	25,00	32,50	32,90
FF 145/30 S	30,00	32,20	38,40

FIBBIA

150

BUCKLE 150

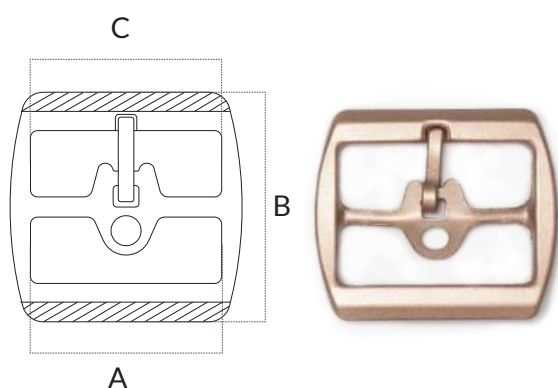


Cod.	A mm	B mm	C mm
FF 150/12	12,00	28,50	19,30
FF 150/14	14,00	29,20	21,40
FF 150/16	16,00	32,30	22,80
FF 150/18	18,00	32,00	25,70
FF 150/20	20,00	32,80	28,40
FF 150/22	22,00	31,20	29,20
FF 150/25	24,00	32,50	32,90
FF 150/30	30,00	32,20	38,40
FF 150/35	35,00	34,00	42,20

FIBBIA

210

BUCKLE 210



Cod.	A mm	B mm	C mm
FF 210/25	25,00	32,00	32,40
FF 210/30	30,00	33,00	38,40